

29" SideKick™ Pedestal Washer

- 1.0 cu. ft. Capacity
- NeveRust™ Stainless Steel Drum
- Direct Drive Motor with 10-Year Limited Warranty
- Perfect for Intimates, Hand Wash or Active Wear
- Smart Diagnosis™
- Compatible with Select LG 29" Front Load Washers



COLOR AVAILABILITY

- WD200CV – Graphite Steel

CAPACITY

Capacity (cu. ft.)	1.0
LG TWINWash™ Compatible	Yes

APPEARANCE

Front Control Panel	Yes
Electronic Control Panel with LED Display	Yes
Touch Buttons	Yes

ENERGY & WATER

ENERGY STAR® Qualified	No
------------------------	----

WASH CYCLES

Number of Cycles	6
Wash Cycles	Normal, Intimates, Hand Wash, Active Wear, Rinse + Spin, Tub Clean

WASH OPTIONS

Number of Options	3
Options	Warm Water, Extra Rinse, Child Lock

WASH DETAILS

3 Motion Technology	Yes
Number of Wash/Rinse Temps	2 (Warm, Cold)
Max RPM	700

CONVENIENCE

End of Cycle Signal	Yes
Child Lock	Yes
Auto Suds Removal	Yes
Forced Drain System	Yes
Leveling Legs	4 Adjustable Legs

SMART FEATURES

Wi-Fi Enabled	No
ThinQ®	No
SmartDiagnosis™	Yes

MOTOR AND AGITATOR

Motor Type	Direct Drive Motor
Motor Speed	Variable
Max RPM	700

MATERIALS AND FINISHES

NeveRust™ Stainless Steel Drum	Yes
Cabinet	PCM
Control Panel	Plastic
Top Cover	Painted
Door / Rim	Plastic / Chrome
Door Cover	Transparent Tinted Semi-Circle Cover

TECHNICAL SPECS

Ratings	UL Listed
Electrical Requirements	120V, 5 Amps
Type	Electric
Power Outlet Location	Within 60" of Either Side
Power Cord	Included (3-Prong)
Min. / Max. Water Pressure	20 - 120 psi

INCLUDED ACCESSORIES

2 Short Inlet Hoses, 2 Inlet Hose Y-connectors, Drain Hose Y-connector, Drain Hose, Non-Skid Pads, Wrench, 2 Tie Straps, 2 Wire Clamps & 1 Band Clamp, Screws, Detergent Dispenser

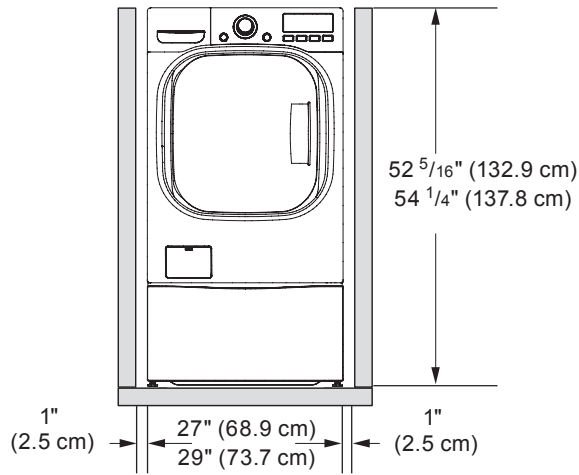
DIMENSIONS

Product (W x H x D)	29" x 14 1/8" x 30 7/8"
Depth with Drawer Open	50 9/16"
Carton Dimensions (W x H x D)	30 7/8" x 16 13/16" x 33 1/16"
Approx. Weight (Product / Carton)	105 lbs. / 115 lbs.

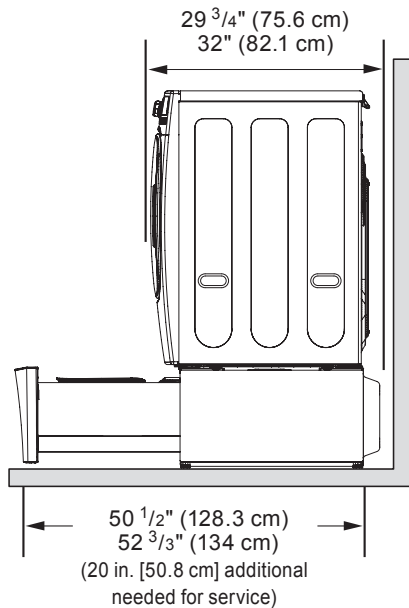
LIMITED WARRANTY

Parts and Labor	1 Year
Direct Drive Motor	10 Years
Drum	Lifetime

DIMENSIONS / CLEARANCES



To ensure sufficient clearance for water lines and airflow, allow minimum clearances of at least 1 in. (2.5 cm) at the sides and 4 in. (10 cm) behind the unit. Be sure to allow for wall, door, or floor moldings that may increase the required clearances.



INSTALLATION NOTES

- This pedestal washer must be installed underneath a matching front-loading LG washing machine manufactured after 2009. (The 29" wide machine must be stacked under a 29" wide LG front-loading washer. The 27" wide machine must be stacked under a 27" wide LG front-loading washer.)
- The pedestal washer will not work as a standalone unit.
- The pedestal washer must be stacked under an LG brand appliance in order to operate properly.